

Test Report

for 1.0~12.5GHz Broadband Horn Antenna



Model: HXATBDH10125

Chengdu HAIKIN MICROWAVE Technology Co., Ltd

Add: Chengdu 610091, China

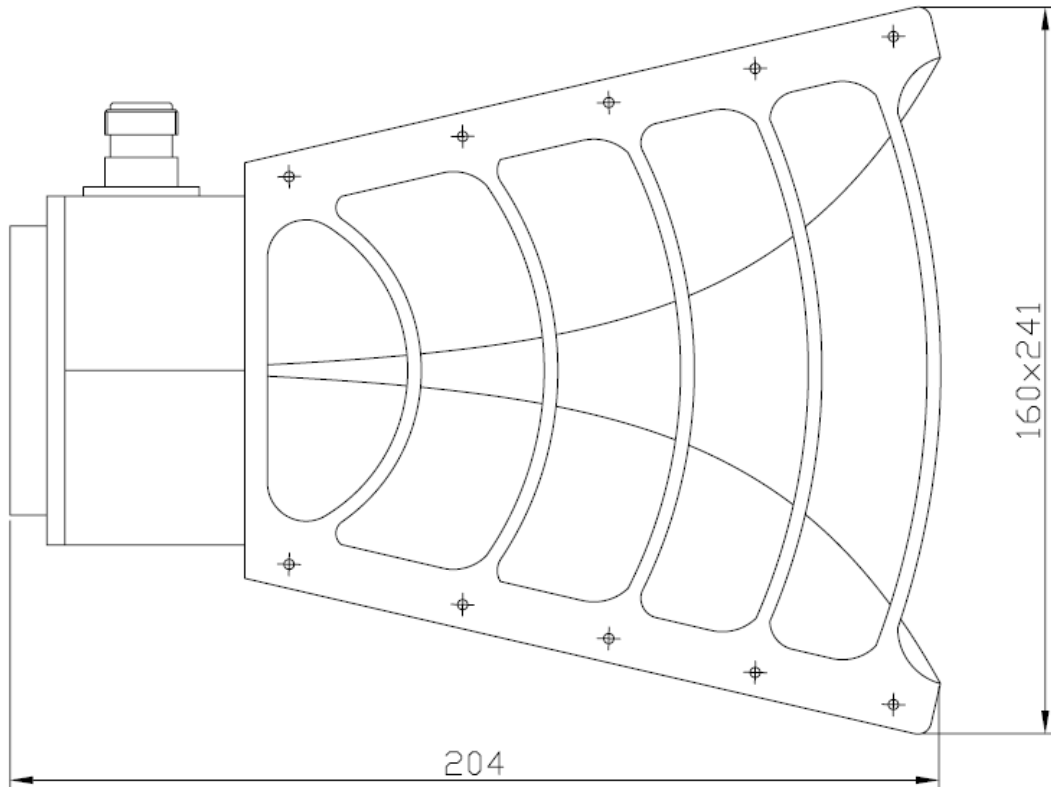
Tel: +86-28-87089208

Website: www.hxmrowave.com

Fax: +86-28-87089208

Email: sale@hxmrowave.com

Outline Drawing (Size: mm)



Technical Specification

Frequency Rang	VSWR	Gain	Connector	Size
1.0~12.5GHz	2.5:1	10dBi	N-Female	241mm×160mm×204mm

Test Instruments

Agilent 83630B
 HP8563E
 HP8720D

Test Results

1. Gain

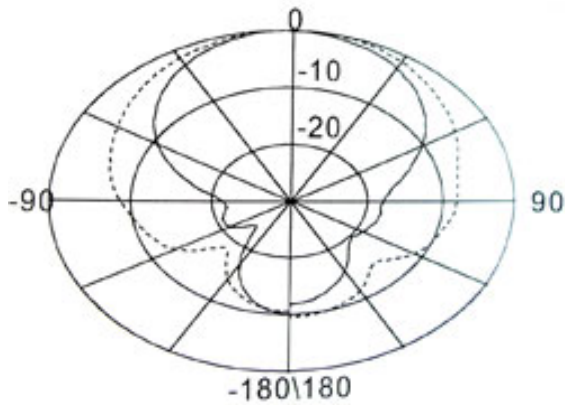
Frequency (GHz)	1.0	2.0	4.0	8.0	12.5
Gain (dBi)	6	8	11	12	14

2. Pattern

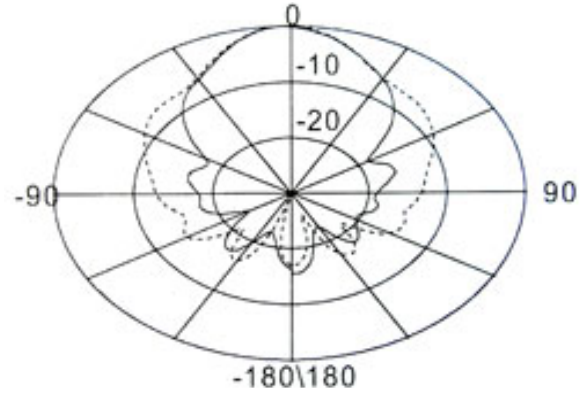
E Plane- - - - -

H Plane- - - - -

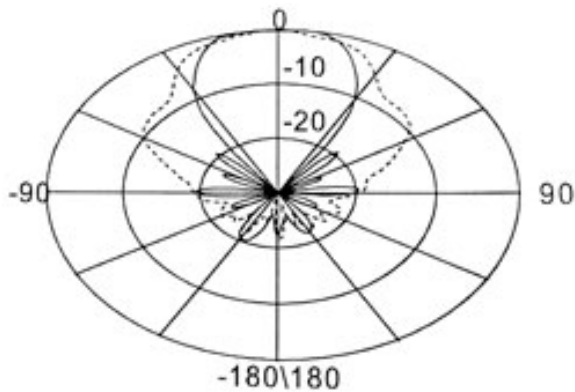
1000MHz(120° /120°)



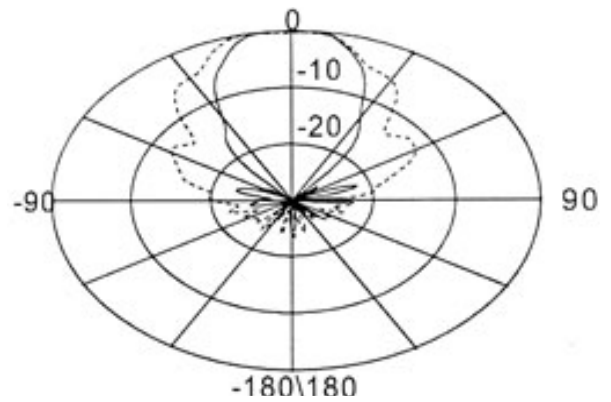
3000MHz(78° /123°)



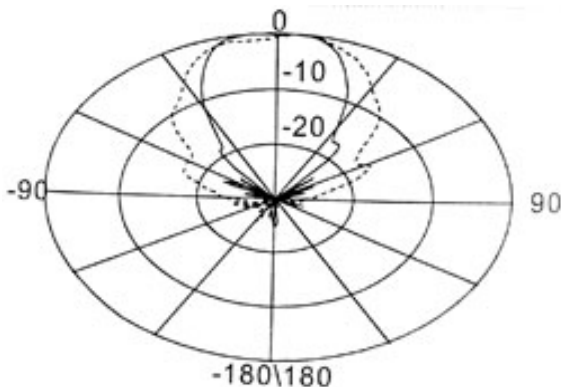
6000MHz(42° /53°)



8000MHz(40° /33°)



10000MHz(46° /36°)



12000MHz(44° /35°)

